

# Trinity AX2

Automated Pallet System for  
Small/Medium Vertical Machining Centers



## Unlock the Potential of Your CNC

**AX**  
SERIES

Optimize Your Spindle  
Reduce Your Setup Time  
Run Unmanned

**TRINITY**  
ROBOTICS AUTOMATION

# Trinity AX2

Automated Pallet System for  
Small/Medium Vertical Machining Centers



*Designed & Built in California*

## SPECIFICATIONS

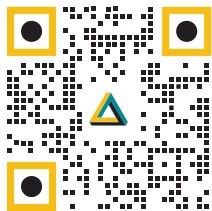
- Configurations: AX2-16 / AX2-24
- Max Part Size:  $\varnothing 16"$  x 9"H /  $\varnothing 12"$  x 9"H (+ Bonus  $\varnothing$ )
- Pallet Locations: 16 / 24
- Robot Capacity: 55 lbs.

## FEATURES

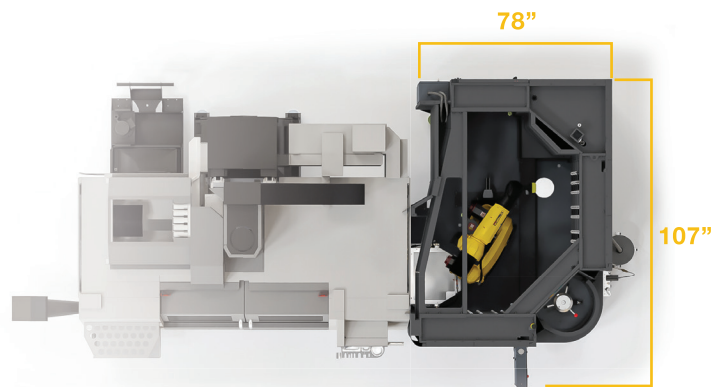
- Fanuc M-20iD Robot
- 15" touch screen with Trinity AXPM Software
- Pallet designed for a single clamping module
- Single pallet operator station with rotating receiver
- Complete CNC table setup including:
  - Receiver with a single clamping module
  - Integration onto CNC table
  - Clamp confirmation for pallets
  - Controls package with clamp confirmation detection
  - Blow offs for contact surfaces
- Integrated Fanuc OEM 220 VAC, 3 phase transformer
- System crating and preparation for shipment
- CNC machine integration and auto-door installation
- System installation and operator training (5 days)

## AX SERIES KEY BENEFITS

- Optimize high mix CNC production
- Decrease set-up time via stored workholding
- Eliminate idle time between part loads
- Increase spindle utilization
- Maximize the floor space of your shop
- Ensure repeatability with smart workholding & software
- Run unmanned night & weekend shifts
- Easy to use interface



Scan QR Code to  
Learn More About the  
Trinity AX Series  
Contact us for current  
CNC compatibility



Turn your existing CNC  
Machining Center into an  
Automated Production  
System.



Unlock the Potential of Your CNC  
trinityautomation.com 1-800-762-6864