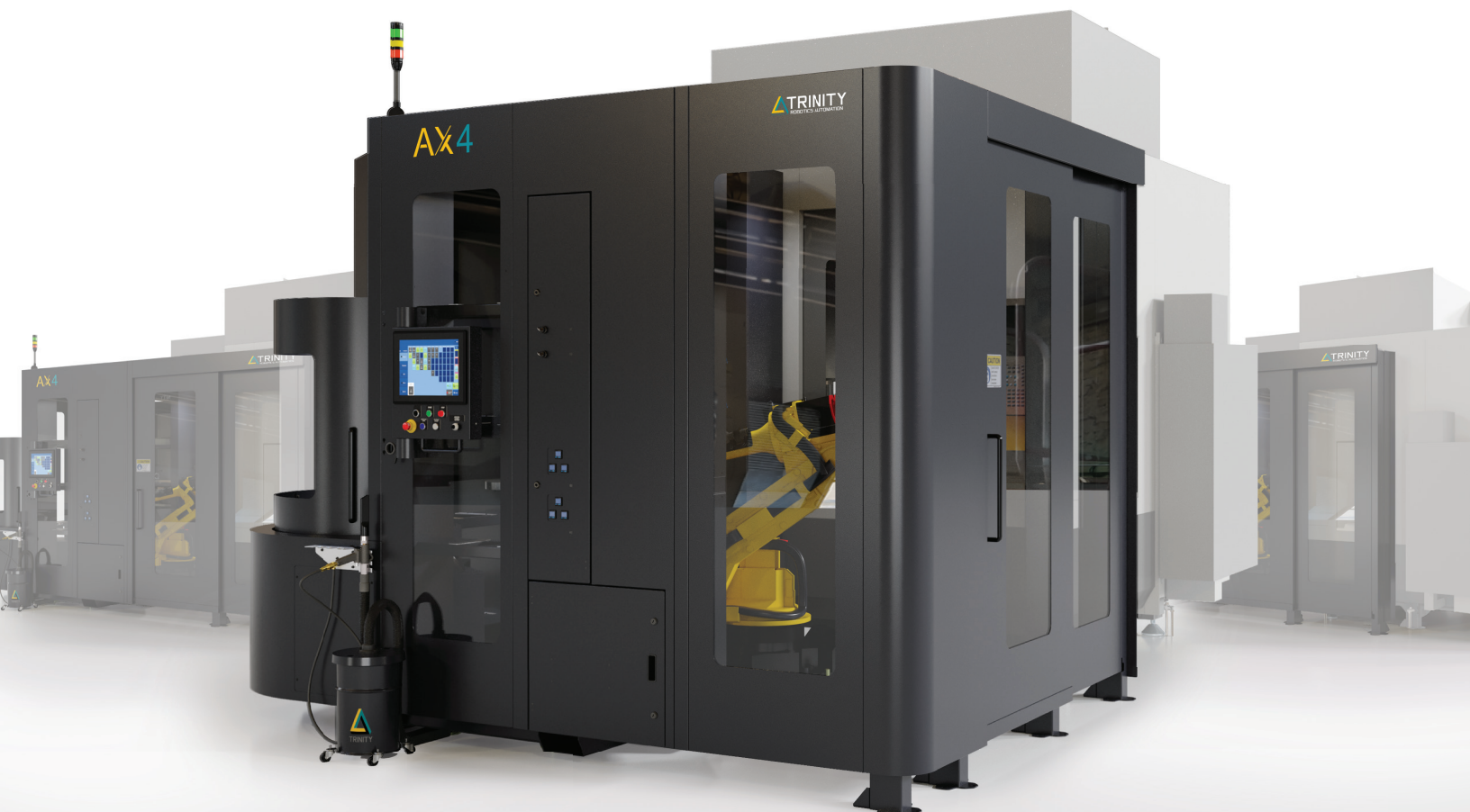


# Trinity AX4

Automated Pallet System for  
Medium/Large CNC Machining Centers



## Unlock the Potential of Your CNC

AX  
SERIES

Optimize Your Spindle  
Reduce Your Setup Time  
Run Unmanned

 **TRINITY**  
ROBOTICS AUTOMATION

# Trinity AX4

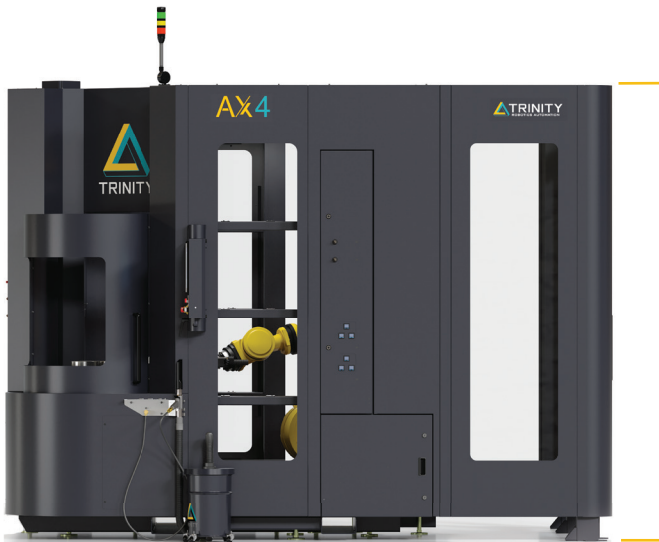
Automated Pallet System for  
Medium/Large CNC Machining Centers

## SPECIFICATIONS

- Configurations: AX4-12 / AX4-18
- Max Part Size:  $\varnothing 21.5"$  x 14"H /  $\varnothing 21.5"$  x 8"H (+ Bonus  $\varnothing$ )
- Pallet Locations: 12 / 18
- Robot Capacity: 160 lbs.

## FEATURES

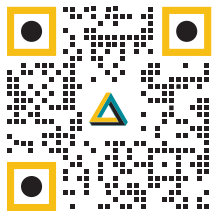
- Fanuc R-1000iA Robot
- 15" touch screen with Trinity AXPM Software
- Pallet designed for 3 clamping modules
- Single pallet operator station with rotating receiver
- Complete CNC table setup including:
  - Receiver with a single clamping module
  - Integration onto CNC table
  - Clamp confirmation for pallets
  - Controls package with clamp confirmation detection
  - Blow offs for contact surfaces
- Integrated Fanuc OEM 220 VAC, 3 phase transformer
- CNC machine integration
- Safety fence with sliding door and auto-door installation
- System crating and preparation for shipment
- System installation and operator training (5 days)



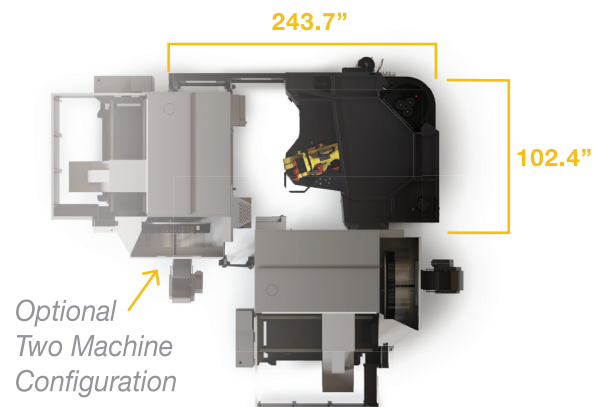
*Designed & Built in California*

## AX SERIES KEY BENEFITS

- Optimize high mix CNC production
- Decrease set-up time via stored workholding
- Eliminate idle time between part loads
- Increase spindle utilization
- Maximize the floor space of your shop
- Ensure repeatability with smart workholding & software
- Run unmanned night & weekend shifts
- Easy to use interface



Scan QR Code to  
Learn More About the  
Trinity AX Series  
Contact us for current  
CNC compatibility



Turn your existing CNC  
Machining Center(s) into  
an Automated Production  
System.