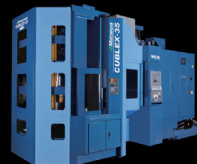


Reduce Complex Part Production by 50% by Combining Milling, Turning, & Grinding on One Machine.

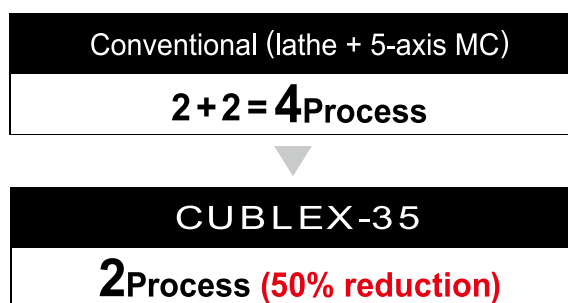
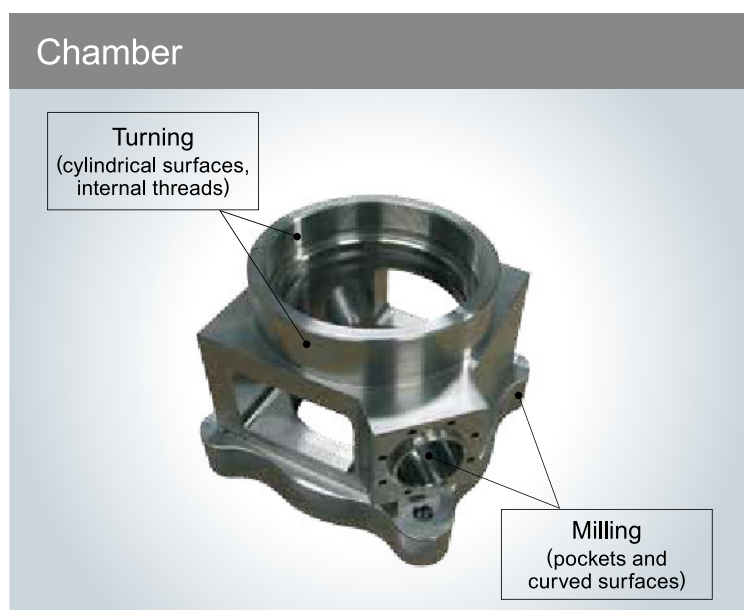
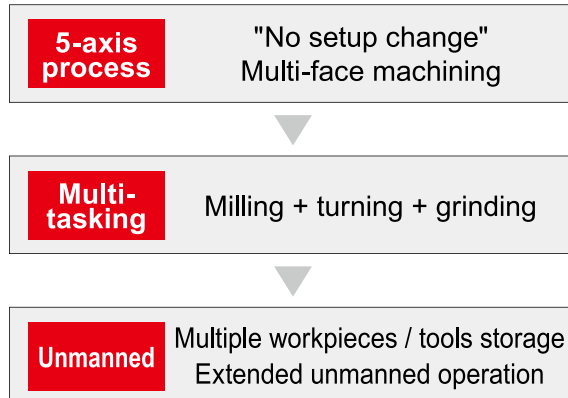


Matsuura
CUBLEX-35

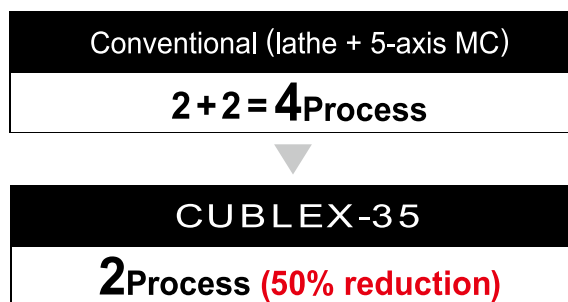
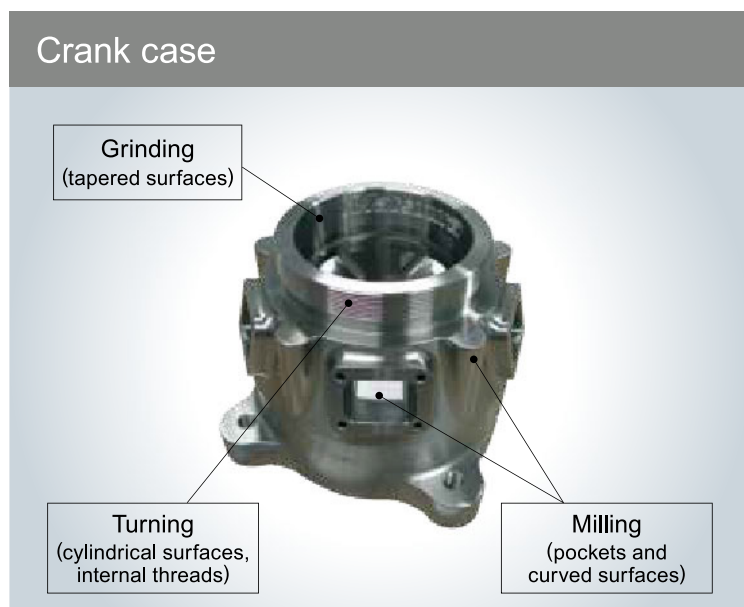
5-Axis Multi-Tasking Machining Center

Extraordinary process integration achieves cycle time reduction and cost effective high-precision production.

No setup or alignment between processes is required. One-chucking operation eliminates errors accumulated from setups and enables high-precision machining in unmanned operation for extended durations.



Tools used	6 tools (turning) + 11 tools (milling)
Material	CENA1 (HRC40)



Tools used	6 tools (turning) + 12 tools (milling) + 1 tool (grinding)
Material	CENA1 (HRC40)